

UniStream™ HMI Panel

Technical Specifications
USP-070-B10 ,USP-104-B10,
USP-156-B10

UniStream™ HMI Panels provide the foundation of an all-in-one HMI + PLC controller. To create an all-in-one device, snap a UniStream™ CPU-for-Panel and one or more Uni-I/O™ or Uni-COM™ modules onto the back of the panel.

Power Supply	USP-070-B10	USP-104-B10	USP-156-B10
Input voltage	12VDC or 24VDC		
Permissible range	10.2VDC to 28.8VDC		
Max. current consumption	1.5A@12VDC, 0.75A@24VDC	1.62A@12VDC, 0.81A@24VDC	2.5A@12VDC, 1.25A@24VDC

Display	USP-070-B10	USP-104-B10	USP-156-B10
LCD type	TFT		
Backlight type	White LED		
Luminous intensity (brightness)	Typically 400 nits (cd/m ²), at 25°C		
Backlight longevity	Typically 50,000 hours ⁽¹⁾		
Resolution (pixels)	800 x 480 (WVGA)	800 x 600 (SVGA)	1366 x 768
Viewing area	7"	10.4"	15.6"
Color support	65,536 (16bit)		16M (24bit)
Surface treatment	Anti-glare		
Touch screen	Resistive Analog		
Actuation force (min)	> 80 g (0.176 lb)		

System	
Processor	32 bit, 800MHz RISC Processor, with Graphic Accelerator
Internal memory	RAM: 512 MB ROM: 3GB system memory 1GB user memory
External memory	microSD or microSDHC card Size: up to 32GB Data Speed: up to 200Mbps

Audio ⁽²⁾	
Bit Rate	192kbps
Internal speaker	Audio compatibility: mono MP3 files. Frequency range: 500Hz to 20KHz
External audio	Audio compatibility: stereo MP3 files. Interface: 3.5mm Audio-out jack - use shielded audio cable of up to 3 m (9.84 ft). Impedance: 32Ω No isolation

Video	
Support Formats	MPEG-4 Visual , AVC/H.264

Communication	
Ethernet port	
Number of ports	2
Port type	10/100 Base-T (RJ45)
Auto crossover	Yes
Auto negotiation	Yes
Isolation voltage	500VAC for 1 minute
Cable	Shielded CAT5e cable, up to 100 m (328 ft)
USB device ⁽³⁾	
Number of ports	1
Port type	Mini-B
Data rate	USB 2.0 (480Mbps)
Isolation	None
Cable	USB 2.0 compliant; < 3 m (9.84 ft)
USB host	
Number of ports	2
Port type	Type A
Data rate	USB 2.0 (480Mbps)
Isolation	None
Cable	USB 2.0 compliant; < 3 m (9.84 ft)
Over current protection	Yes

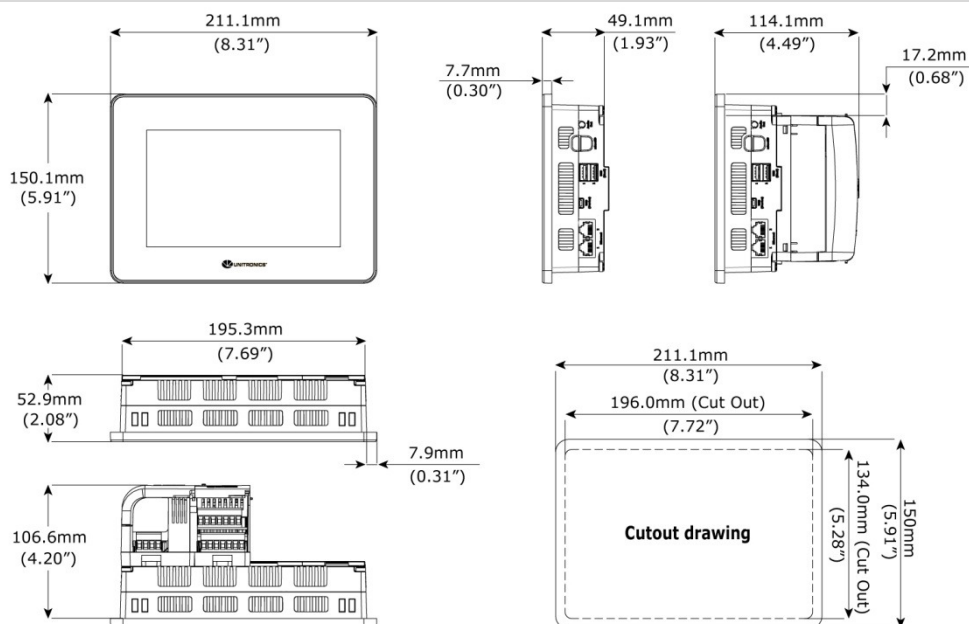
On-board I/O or COM modules ⁽⁴⁾	USP-070-B10	USP-104-B10, USP-156-B10
Number of modules	Up to 3	Up to 5 Modules (up to 4 of them can be COM modules)

Note that the numbers above relate to Uni-I/O and Uni-COM modules. You can mix Uni-I/O and Uni-COM modules with Uni-I/O Wide modules, considering that 1 Uni-I/O Wide module equals 1½ Uni-I/O module. For example, the USP-104-B10 back panel can host 2 Uni-I/O and 2 Uni-I/O Wide modules in any order.

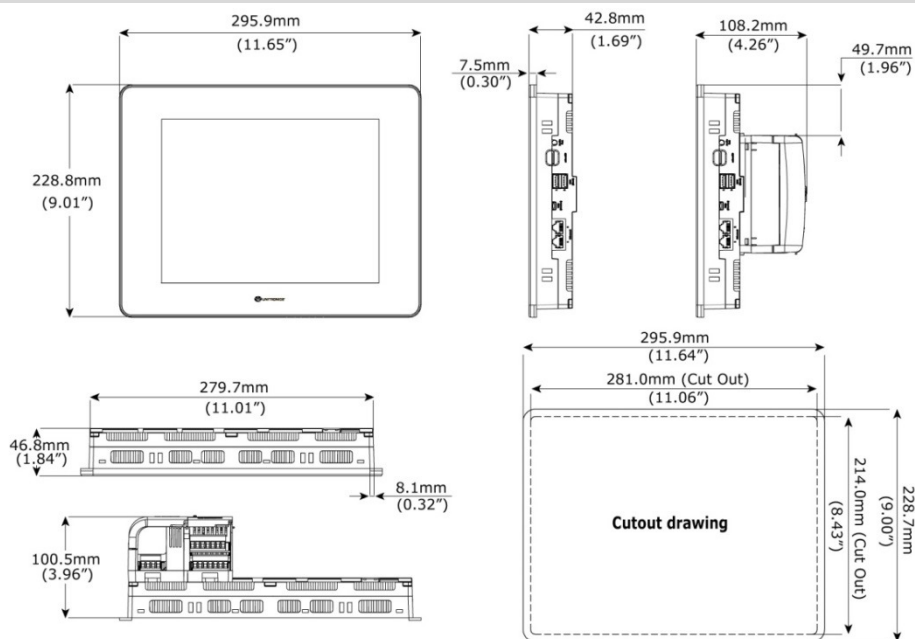
Environmental		
Protection	Front face ⁽²⁾ : IP65/66, NEMA 4X Rear side: IP20, NEMA1	
	USP-070-B10, USP-104-B10	USP-156-B10
Operating temperature	-20°C to 55°C (-4°F to 131°F)	0°C to 50°C (32°F to 122°F)
Storage temperature	-30°C to 70°C (-22°F to 158°F)	-20°C to 60°C (-4°F to 140°F)
Relative Humidity (RH)	5% to 95% (non-condensing)	
Operating Altitude	2,000 m (6,562 ft)	
Shock	IEC 60068-2-27, 15G, 11ms duration	
Vibration	IEC 60068-2-6, 5Hz to 8.4Hz, 3.5mm constant amplitude, 8.4Hz to 150Hz, 1G acceleration	

Dimensions	USP-070-B10	USP-104-B10	USP-156-B10
Weight	0.7 Kg (1.54 lb)	1.45 Kg (3.20 lb)	3 Kg (3.60 lb)
Size	Refer to the images below		

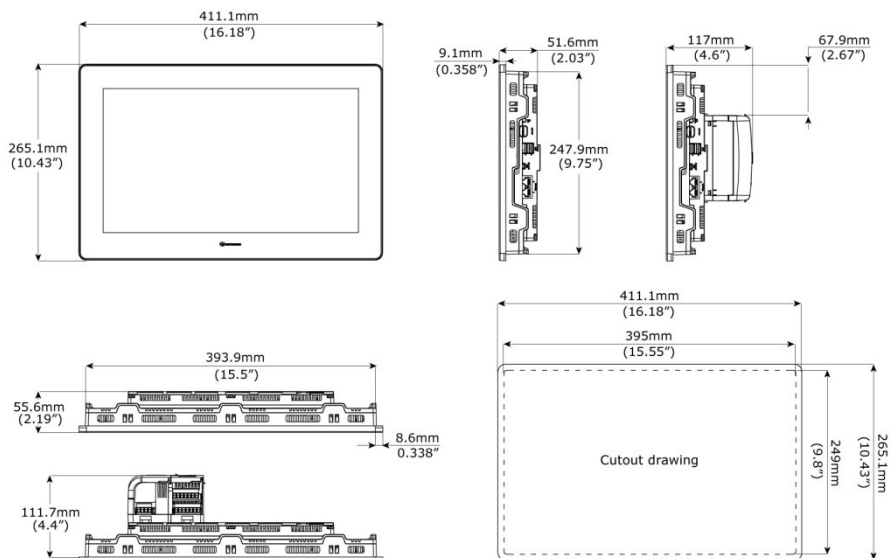
USP-070-B10 7" Panel



USP-104-B10 10.4" Panel



USP-156-B10 15.6" Panel

**Notes:**

1. Panel's longevity is the operating time after which the brightness drops to 50% of its original level.
2. The audio outlet seal must be inserted in the outlet in order to comply with IP66 or NEMA 4X.
3. The USB device port is used to connect the device to a PC.
4. The panel back is molded into a DIN rail-like structure which provides the physical support for a UniStream™ CPU-for-Panel, Uni-I/O™ modules and Uni-Com™ modules. Details are provided in the UniStream™ HMI Panel installation guides.